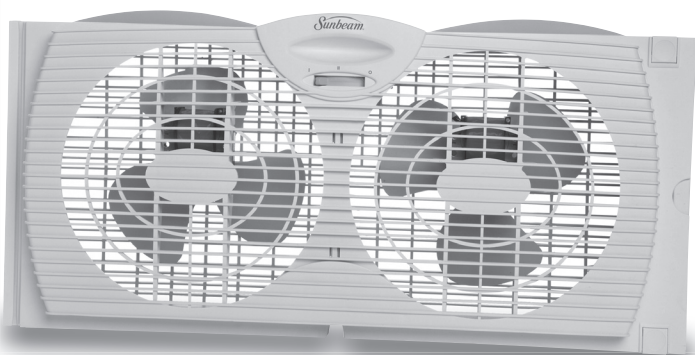


TRUSTED FOR OVER
100 YEARS

SWF2000-CN

twin
Window Fan

*Sunbeam*TM



Instruction Leaflet

PLEASE READ AND SAVE THESE IMPORTANT INSTRUCTIONS

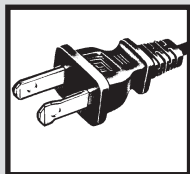
PLEASE READ AND SAVE THESE IMPORTANT SAFETY INSTRUCTIONS

When using electrical appliances, basic safety precautions should always be followed to reduce the risk of fire, electric shock, and injury to persons, including the following:

1. Read all instructions before using this appliance.
2. Use fan only for purposes described in the instruction manual.
3. To protect against electrical shock do not immerse unit, plug or cord in water or spray with liquids. Plug the appliance directly into a 120V AC electrical outlet.
4. **WARNING:** To reduce the risk of fire or electrical shock, **DO NOT** use this fan with any solid-state speed control device.
5. Close supervision is necessary when any appliance is used by or near children.
6. Unplug from outlet when not in use, when moving fan from one location to another, before putting on or taking off parts and before cleaning.
7. Avoid contact with moving parts.
8. **DO NOT** operate in the presence of explosives and/or flammable fumes.
9. To avoid fire hazard, **NEVER** place the cord under rugs or any parts near an open flame, cooking or other heating appliance.
10. **DO NOT** operate any appliance with a damaged cord or plug after the appliance malfunctions, or has been dropped/damaged in any manner.
11. The use of attachments not recommended or sold by the appliance manufacturer may cause hazards.
12. **DO NOT** use outdoors.
13. **DO NOT** let the cord hang over the edge of a table, counter or come in contact with hot surfaces or leave exposed to high traffic areas.

14. To disconnect, grip plug and pull from wall outlet. Never yank on cord.
15. Always use on a dry, level surface.
16. **DO NOT** operate fan until fully assembled with all parts properly in place.
17. This product is intended for household use only and not for commercial or industrial applications.

PLEASE READ AND SAVE THESE IMPORTANT SAFETY INSTRUCTIONS



THIS APPLIANCE HAS A POLARIZED PLUG (one blade is wider than the other). To reduce the risk of electric shock, this plug is intended to fit in a polarized outlet only one way. If the plug does not fit fully in the outlet, reverse the plug. If it still does not fit, contact a qualified electrician to install the proper outlet.

DO NOT ATTEMPT TO MODIFY THIS PLUG OR DEFEAT THIS SAFETY FEATURE IN ANY WAY.

FEATURES - OPERATIONS

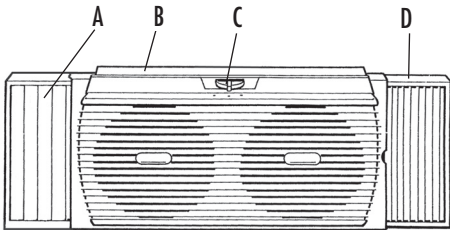
PRE-INSTALLATION INSTRUCTIONS

NOTE: MAKE SURE YOU REMOVE ALL CONTENTS FROM THE PACKAGE. PLEASE CHECK PACKAGING MATERIALS FOR PARTS THAT COULD BE REQUIRED TO OPERATE YOUR FAN.

- The window fan comes fully assembled and is ready for immediate installation.
- Before installation, familiarize yourself with the built-in 7 inch (17cm) extender on the right side of the fan and the additional 3.5 inch (9cm) extender which attaches to the left side of the fan housing (see Figure 1). The extra extender is packed in styrofoam at end of the box.

This window fan has been designed to fit double-hung windows with minimum openings of 22 inches (55cm) wide and 10 inches (25cm) high.

FIGURE 1



- A. 3.5 inch (9cm) Slide on Extender
- B. Top Window Support
- C. 2 Speed Motor Control
- D. Built-in Adjustable Extender Panel (pulls out 7 inch/17cm)

on right side of the fan then pull out the built-in extender. To lock extender into place, push the clips down.

5. Carefully close the window onto the top of the fan so that the bottom edge of the window rests behind top line of fan housing. This helps keep the fan in place.

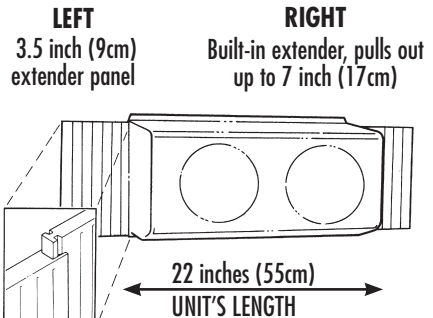
For slider windows (will fit windows 10 inches/25cm and 36 inches/91cm high)

In a slider window, the control must face inward, towards the window. The 7 inch (17cm) built-in extender will be positioned on top. Prior to installing unit in window, measure the height and adjust the upper extender for a snug fit.

NOTE: In some slider windows you may need to remove the screen.

FIGURE 2

FRONT VIEW



WINDOW FAN INSTALLATION

NOTE: WE RECOMMEND KEEPING YOUR WINDOW SCREEN IN PLACE.

1. Align the Window Fan horizontally in the window with the controls facing you and the Built-In Extender Panel to the right.
2. With the window open take an accurate measurement of the opening where the unit will be placed.
3. Match your window measurement with the **INSTALLATION GUIDE**.
4. Once you have attached the extender panel(s) (if needed), set the fan in the window. You will complete installation with built-in extender. Pull out both clips

INSTALLATION GUIDE

For 22 inches (55cm) to 29 inches (73cm) :
Use up to 7 inch (17cm) of right side, pull out extender panel.

For 29 inches (73cm) to 33.25 inches (83cm) :
Use one 3.5 inch (9cm) extender panel on the left side. Adjust the pull out extender on the right side for a tight fit (from 0.5 inch (1cm) to 7 inch (17cm)).

Larger than 33.25 inches (83cm) :
Additional extender panels will be required (See Window Fan Accessory Section).

FEATURES - OPERATIONS CLEANING/MAINTENANCE

OPERATING INSTRUCTIONS

- Make sure rotary switch is in the OFF (O) position.
- Plug into 120V AC electric outlet.
- To start the unit, turn the rotary switch to desired speed (High = II, Low = I).
- To use in EXHAUST mode, manually turn the unit around in the window. (Controls can be operated from both sides.)

WARNING: BE SURE FAN IS SECURELY INSTALLED IN YOUR WINDOW AT ALL TIMES. DO NOT LEAN OR PUSH ON FAN WHILE IT IS IN THE WINDOW.

CLEANING/MAINTENANCE INSTRUCTIONS

Follow these instructions to correctly and safely care for your window fan. Please remember:

- Always unplug the fan before cleaning or disassembling.
- Do not allow water to drip on or enter into the fan motor housing.
- Be sure to use a soft cloth moistened with mild soap solution.
- Do not use any of the following as a cleaner: gasoline, thinner, benzene.

Fan Blade and Front Grill Cleaning

1. Always unplug the fan before cleaning.
2. Using a Phillips head screwdriver, remove the screws located around the perimeter of the rear grill. Carefully separate the front and the rear grills from the end opposite the built in extender. Do not completely detach the grills as this may damage the extender clips. Separate only enough to gain access to the blades with one hand.
3. Clean blades and grills with a soft, moist cloth (see above).
4. Securely fasten the grills together.

FAN STORAGE

For all window fans, and fans that come already assembled.

- It is important to keep it in a safe, dry location.
- We recommend using the original (or appropriately sized) box.
- Please remember to protect the fan from dust or moisture.

WINDOW FAN ACCESSORIES

Window Fan
Extender Panel
(2310010000417)



To order please go to
www.sunbeam.ca or call
1-888-264-9669

If you have any questions regarding your product or would like to learn more about other Sunbeam™ products, please contact our Consumer Service Department at 1-888-264-9669 or visit our website at www.sunbeam.ca.

WARRANTY INFORMATION

1 YEAR LIMITED WARRANTY

Sunbeam Products, Inc. doing business as Jarden Consumer Solutions or if in Canada, Sunbeam Corporation (Canada) Limited doing business as Jarden Consumer Solutions (collectively "JCS") warrants that for a period of one year from the date of purchase, this product will be free from defects in material and workmanship. JCS, at its option, will repair or replace this product or any component of the product found to be defective during the warranty period.

Replacement will be made with a new or remanufactured product or component. If the product is no longer available, replacement may be made with a similar product of equal or greater value. This is your exclusive warranty. Do NOT attempt to repair or adjust any electrical or mechanical functions on this product. Doing so will void this warranty.

This warranty is valid for the original retail purchaser from the date of initial retail purchase and is not transferable. Keep the original sales receipt. Proof of purchase is required to obtain warranty performance. JCS dealers, service centers, or retail stores selling JCS products do not have the right to alter, modify or any way change the terms and conditions of this warranty.

This warranty does not cover normal wear of parts or damage resulting from any of the following: negligent use or misuse of the product, use on improper voltage or current, use contrary to the operating instructions, disassembly, repair or alteration by anyone other than JCS or an authorized JCS service center. Further, the warranty does not cover: Acts of God, such as fire, flood, hurricanes and tornadoes.

What are the limits on JCS's Liability?

JCS shall not be liable for any incidental or consequential damages caused by the breach of any express, implied or statutory warranty or condition.

Except to the extent prohibited by applicable law, any implied warranty or condition of merchantability or fitness for a particular purpose is limited in duration to the duration of the above warranty.

JCS disclaims all other warranties, conditions or representations, express, implied, statutory or otherwise.

JCS shall not be liable for any damages of any kind resulting from the purchase, use or misuse of, or inability to use the product including incidental, special, consequential or similar damages or loss of profits, or for any breach of contract, fundamental or otherwise, or for any claim brought against purchaser by any other party.

Some provinces, states or jurisdictions do not allow the exclusion or limitation of incidental or consequential damages or limitations on how long an implied warranty lasts, so the above limitations or exclusion may not apply to you.

This warranty gives you specific legal rights, and you may also have other rights that vary from province to province, state to state or jurisdiction to jurisdiction.

How to Obtain Warranty Service

In the U.S.A.

If you have any question regarding this warranty or would like to obtain warranty service, please call 1-888-264-9669 and a convenient service center address will be provided to you.

In Canada

If you have any question regarding this warranty or would like to obtain warranty service, please call 1-888-264-9669 and a convenient service center address will be provided to you.

WARRANTY INFORMATION

In the U.S.A., this warranty is offered by Sunbeam Products, Inc. doing business as Jarden Consumer Solutions located in Boca Raton, Florida 33431. In Canada, this warranty is offered by Sunbeam Corporation (Canada) Limited doing business as Jarden Consumer Solutions, located at 20 B Hereford Street, Brampton, Ontario L6Y 0M1. If you have any other problem or claim in connection with this product, please write our Consumer Service Department. **PLEASE DO NOT RETURN THIS PRODUCT TO ANY OF THESE ADDRESSES OR TO THE PLACE OF PURCHASE.**

© 2009 Sunbeam Products, Inc. doing business as Jarden Consumer Solutions. All rights reserved. Imported and distributed by Sunbeam Corporation (Canada) Limited doing business as Jarden Consumer Solutions, 20B Hereford Street, Brampton, Ontario L6Y 0M1.