

Sunbeam®

User Manual **Convection Countertop Oven**
Notice d'emploi **Four posable à convection**

MODEL/MODÈLE **TSSBTVF816**
Series/Série



Visit us at www.sunbeam.ca

P.N. 174755

IMPORTANT SAFEGUARDS

SAVE AND READ THESE INSTRUCTIONS

When using electrical appliances, basic safety precautions should always be followed including the following:

- **READ ALL INSTRUCTIONS, PRODUCT LABELS AND WARNINGS BEFORE USING THE TOASTER OVEN.**
- Do not touch hot surfaces. Always use oven mitts when handling hot materials and allow metal parts to cool before cleaning. Allow the unit to cool thoroughly before putting in or taking off parts. Always use the oven handles when moving the unit.
- When the unit is not in use and before cleaning, unplug the countertop oven from the wall outlet. **Note:** Make sure the oven is turned off before unplugging.
- To protect against risk of electrical shock, do not immerse the appliance in water or any other liquids.
- Close supervision is always necessary when this or any appliance is used near children. This appliance is not for use by children.
- Do not operate this appliance with a frayed or damaged cord or plug or after the appliance malfunctions or is dropped or has been damaged in any manner. Return appliance to the nearest authorized service facility for examination, repair, or adjustment.
- Do not use attachments not recommended by the manufacturer; they may cause fire, electric shock or personal injury.
- Do not use outdoors or for commercial purposes.
- Do not use this appliance for other than its intended use.
- Do not let the cord dangle over the edge of a tabletop or countertop or touch hot surfaces.
- Do not place the appliance near a hot gas or electric burner or in a heated oven.
- Extreme caution should be used when using containers constructed of material other than metal or glass.
- A fire may occur if the countertop oven is covered or touching flammable materials, including curtains, draperies, walls, etc., when in operation. Do not store any items on top of the appliance when in operation.
- When using countertop oven, pull the unit out a minimum of 6 inches away from walls on all sides. Remove cords from other products from behind countertop oven.
- Do not store any materials, other than manufacturer's recommended accessories, in this unit when not in use.
- Do not place any flammable materials in oven, such as paper, cardboard, plastic or any materials that may catch fire or melt.
- Do not cover crumb tray or any part of the oven with metal foil. This will cause overheating of the oven.
- Oversized foods or metal utensils must not be inserted in the appliance as they may create a fire or risk of electrical shock.
- Do not clean with metal scouring pads. Pieces can break off the pad and touch electrical parts involving a risk of electrical shock.
- Use extreme caution when removing tray or disposing of hot grease.
- To turn this appliance off, return all controls to the "OFF" position.
- To disconnect, turn all controls to "OFF", then remove plug from wall outlet.

THIS UNIT IS FOR HOUSEHOLD USE ONLY SHORT POWER SUPPLY CORD INSTRUCTIONS

A short power-supply cord is provided to reduce the risk resulting from becoming entangled in or tripping over a longer cord. An extension cord may be used if care is exercised in its use. If an extension cord is used, the electrical rating of the cord must be at least as great as the electrical rating of the appliance. The extension cord should be arranged so that it will not drape over the countertop or tabletop where it can be pulled on by children or tripped over unintentionally.

For Products Purchased in the United States and Canada Only

To reduce the risk of electrical shock, this appliance has a polarized plug (*one blade is wider than the other*). This plug fits a polarized outlet only one way; if the plug does not fit fully into the outlet, reverse the plug. If it still does not fit, contact a qualified electrician.

Do not attempt to modify the plug in any way.

SAVE THESE INSTRUCTIONS

Welcome

Congratulations on your purchase of an Sunbeam® Countertop Oven! If you require service on your Sunbeam® Counter Top Oven, do not return to place of purchase.

Please contact us at www.sunbeam.ca or 1.800.667.8623.

Features of Your Countertop Oven

1. One Removable Wire Rack
2. Temperature Selector Knob
3. Function Selector Knob
4. Timer Selector Knob
5. Power Light
6. Crumb Tray
7. Glass Door
8. Easy Clean Interior Walls
9. Baking Pan
10. Two Rack Positions

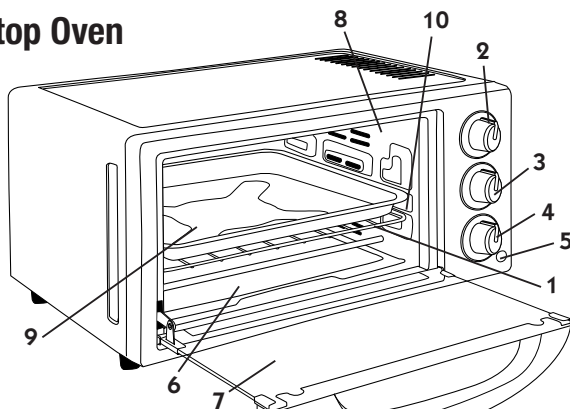


FIGURE 1

Learning About Your Countertop Oven

1. **Removable Wire Rack** – To accommodate a wide variety of foods, use for all your broiling and grilling needs. See "Positioning Rack" section.
2. **Temperature Selector Knob** – Adjust the dial thermostat to the desired temperature.
3. **Function Selector Knob** – Select cooking function by turning the knob to the desired setting.
4. **Timer Selector Knob** – Adjust the dial to the desired time.
5. **Power Light** – Indicates that oven is on.
6. **Crumb Tray** – For crumbs or fallen food particles collection. Pulls out for easy cleaning.
7. **Glass Door** – Allows you to see food cooking.
8. **Easy Clean Interior Walls** – Allows for easy cleaning.
9. **Baking Pan** – Use for all your baking needs.
10. **Two Rack Positions**

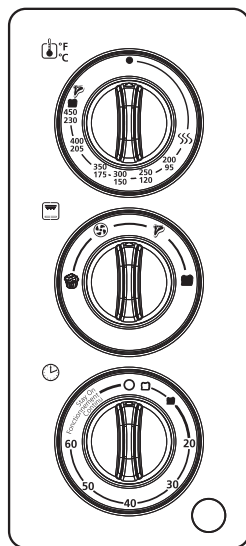


FIGURE 2

Preparing To Use Your Countertop Oven for the First Time

If you are using your countertop oven for the first time, please be sure to:

Remove any stickers from the surface of the oven.

Open oven door and remove all printed documents and paper from inside the countertop oven.

Clean the rack, tray, and pan with hot water, a small amount of dishwashing liquid and a non-abrasive sponge or cleaning pad.

DO NOT IMMERSE THE BODY OF THE UNIT IN WATER.

Dry the rack, tray, and pan thoroughly before using.

Select a location for the countertop oven. The location should be in an open area on a flat counter where the plug will reach an outlet.

Plug the countertop oven into a 120 Volt AC electrical outlet.

The heating elements are designed to work efficiently and maintain a precise temperature.

You may not see the elements glowing, however they are working properly.

PLEASE NOTE – It is recommended that the countertop oven heat at 450° for approximately 15 minutes to eliminate any manufacturing residue that may remain after shipping.

Using Your Countertop Oven

Preheating the Oven

Place oven rack into the desired position before heating the oven. (See “Positioning Rack” Section)

Turn the temperature control knob to the desired temperature.

Turn the knob to the desired function.

Set the timer knob to desired time and allow 7–9 minutes for the oven to preheat.

To Use the Variable Broil Function

Select desired oven rack position. (See “Positioning Rack” Section)

Place the baking pan underneath the baking rack to make broiler pan.

Arrange food on broiler pan.

Close the door to the first notch, leaving approximately a 3-inch gap at the top. This will insure adequate airflow during broiling.

Turn the function dial to BROIL. Only the top heater element will operate.

Turn the temperature control knob to the desired temperature.

Turn the timer knob to the desired time. The timer can be set to for up to 60 minutes.

At the end of the cooking time, a bell signal sounds, and the oven turns off automatically.

To set the timer for less than 20 minutes, **turn the timer past the 20-minute mark to engage timer switch and then turn it back to desired time**; it can then be set for cooking that will only require a few minutes.

Turn food over about halfway through the broiling time.

When broiling is completed, open door fully and remove food carefully with oven mitt.

WARNING: Do not leave countertop oven unattended.

To Use the Bake Function

Select desired oven rack position. (See “Positioning Rack” Section)

Arrange food on the wire rack or in the baking pan.

Turn the function dial to BAKE. Both the top and bottom heater elements will operate.

Turn the temperature control knob to the desired temperature.

Turn the timer knob to the desired time. The timer can be set for up to 60 minutes.

At the end of the cooking time, a bell signal sounds and the oven turns off automatically.

To set the timer for less than 20 minutes, **turn the timer past the 20-minute mark to engage timer switch and then turn it back to desired time**; it can then be set for cooking that will only require a few minutes.

NOTE – The top and bottom heating elements will cycle ON and OFF to maintain the desired temperature.

To Use the Turbo Convection Bake Function

Select desired oven rack position. (See “Positioning Rack” Section)

Arrange food on the wire rack or in the baking pan.

Turn the function dial to TURBO CONVECTION BAKE. Both the top and bottom heater elements will operate.

Turn the temperature control knob to the desired temperature.

Turn the timer knob to the desired time. The timer can be set for up to 60 minutes.

At the end of the cooking time, a bell signal sounds and the oven turns off automatically.

To set the timer for less than 20 minutes, **turn the timer past the 20-minute mark to engage timer switch and then turn it back to desired time**; it can then be set for cooking that will only require a few minutes.

NOTE – The top and bottom heating elements will cycle ON and OFF to maintain the desired temperature.

When baking is completed, open door fully and remove food carefully with oven mitt.

WARNING: Cooked food can be very hot. Handle with care.

Do not leave countertop oven unattended.

Defrosting Tip – When defrosting, do not preheat oven. Turn Temperature Control to 250°F.

Allow 15 to 20 minutes per side for meats or fish to defrost. Always cook food promptly after thawing.

FAQs About Turbo Convection Baking

What is Turbo Convection Bake?

Answer: In your Countertop Oven there is a built in fan that circulates the hot air in the oven chamber to better heat the food.

How do I adjust the time for Turbo Convection Bake?

Answer: On average, convection will shorten the cooking time by 30%

but it varies by food. It is suggested to go with a shorter cooking time to start with and then add time if it is needed.

What are the best foods to use with Turbo Convection Baked?

Answer: While a shorter cook time is often desirable, bake goods in particular benefit from convection cooking as the circulating air keeps oven temperature consistent throughout.

To Use the Toast Function

Select desired oven rack position. (See “Positioning Rack” Section)

NOTE – Different types of bread require different settings. Lighter breads and waffles require a lighter setting. Darker breads, muffins, and English muffins require a darker setting.

Arrange food on the wire rack.

1. Turn the function dial to TOAST. Both the top and bottom heater elements will operate.
2. Turn the temperature control knob to the 450°F/TOAST setting.
3. To set the timer, **turn the timer past the 20 minute mark** to engage timer switch and set back to desired toast time.

When toasting is completed, open door fully and remove food carefully with oven mitt.

NOTE – The top and bottom heating elements will cycle ON and OFF to maintain the desired temperature.

WARNING: Cooked food can be very hot. Handle with care.

Do not leave countertop oven unattended.

Positioning Rack

To accommodate a wide variety of foods the oven has two rack positions. (See *Figure 3*)

Positioning of the rack will depend on the size of the food and desired browning.

Before removing the rack allow the unit to cool.

For best toast and pizza results, position the rack in the upper rack position.

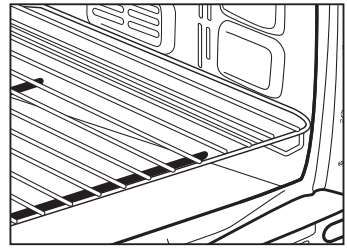


FIGURE 3

PLEASE NOTE – The oven rack may tilt downward causing food to shift when the rack is pulled out, proceed with caution.

Cleaning Your Countertop Oven

Before cleaning your SUNBEAM® countertop oven, turn controls to OFF, unplug cord, and allow it to cool. To clean, wipe with damp cloth. **DO NOT IMMERSE IN WATER!** Make sure to use only mild, soapy water. Abrasive cleaners, scrubbing brushes and chemical cleaners will damage the coating on this unit. Empty crumb tray frequently to avoid accumulation of crumbs. Countertop oven racks are dishwasher safe (*top of dishwasher only*).

Storing Your Countertop Oven

Allow the appliance to cool completely before storing. If storing the countertop oven for long periods of time, make certain that the countertop oven is clean and free of food particles. Store the countertop oven in a dry location such as on a table or countertop or cupboard shelf. Other than the recommended cleaning, no further user maintenance should be necessary.

HELPFUL TIPS / TROUBLESHOOTING

PROBLEM	POTENTIAL CAUSE	SOLUTION
<ul style="list-style-type: none"> • Overcooked / Undercooked Foods 	<ul style="list-style-type: none"> • Incorrect temperature or time setting • Rack placement 	<ul style="list-style-type: none"> • You may have to adjust the time and temperature to desired taste. • Because your countertop oven is smaller than your regular oven, it will heat up faster and generally cook in shorter periods of time. • Refer to “Positioning Rack” Section, Page English-4. Rack may need to be adjusted to accommodate food type.
<ul style="list-style-type: none"> • Burnt Smell 	<ul style="list-style-type: none"> • Food build-up inside oven, on heating elements or in crumb tray. 	<ul style="list-style-type: none"> • Refer to “Cleaning Your countertop oven” Section, Page English-5.
<ul style="list-style-type: none"> • Oven does not turn ON 	<ul style="list-style-type: none"> • Unit is unplugged • Timer was not turned past 10 minute mark. 	<ul style="list-style-type: none"> • Plug the countertop oven into a 120-volt AC electrical outlet. • Set timer knob and temperature knob to desired setting. Both must be turned on to operate the countertop oven.
<ul style="list-style-type: none"> • Only one heating element is heating up 	<ul style="list-style-type: none"> • Function setting selection determines which heating element will operate. 	<ul style="list-style-type: none"> • When toasting, make sure the oven is not set to broil setting.
<ul style="list-style-type: none"> • Heating elements do not stay ON 	<ul style="list-style-type: none"> • Heating elements will cycle ON and OFF to maintain proper heat. 	<ul style="list-style-type: none"> • Be certain that function is as desired.

1 Year Limited Warranty

Sunbeam Products, Inc. doing business as Jarden Consumer Solutions or if in Canada, Sunbeam Corporation (Canada) Limited doing business as Jarden Consumer Solutions (collectively “JCS”) warrants that for a period of one year from the date of purchase, this product will be free from defects in material and workmanship. JCS, at its option, will repair or replace this product or any component of the product found to be defective during the warranty period. Replacement will be made with a new or remanufactured product or component. If the product is no longer available, replacement may be made with a similar product of equal or greater value. This is your exclusive warranty. Do NOT attempt to repair or adjust any electrical or mechanical functions on this product. Doing so will void this warranty.

This warranty is valid for the original retail purchaser from the date of initial retail purchase and is not transferable. Keep the original sales receipt. Proof of purchase is required to obtain warranty performance. JCS dealers, service centers, or retail stores selling JCS products do not have the right to alter, modify or any way change the terms and conditions of this warranty.

This warranty does not cover normal wear of parts or damage resulting from any of the following: negligent use or misuse of the product, use on improper voltage or current, use contrary to the operating instructions, disassembly, repair or alteration by anyone other than JCS or an authorized JCS service center. Further, the warranty does not cover: Acts of God, such as fire, flood, hurricanes and tornadoes.

What are the limits on JCS's Liability?

JCS shall not be liable for any incidental or consequential damages caused by the breach of any express, implied or statutory warranty or condition.

Except to the extent prohibited by applicable law, any implied warranty or condition of merchantability or fitness for a particular purpose is limited in duration to the duration of the above warranty.

JCS disclaims all other warranties, conditions or representations, express, implied, statutory or otherwise.

JCS shall not be liable for any damages of any kind resulting from the purchase, use or misuse of, or inability to use the product including incidental, special, consequential or similar damages or loss of profits, or for any breach of contract, fundamental or otherwise, or for any claim brought against purchaser by any other party.

Some provinces, states or jurisdictions do not allow the exclusion or limitation of incidental or consequential damages or limitations on how long an implied warranty lasts, so the above limitations or exclusion may not apply to you.

This warranty gives you specific legal rights, and you may also have other rights that vary from province to province, state to state or jurisdiction to jurisdiction.

How To Obtain Warranty Service

In the U.S.A.

If you have any question regarding this warranty or would like to obtain warranty service, please call 1.800.458.8407 and a convenient service center address will be provided to you.

In Canada

If you have any question regarding this warranty or would like to obtain warranty service, please call 1.800.667.8623 and a convenient service center address will be provided to you.

In the U.S.A., this warranty is offered by Sunbeam Products, Inc. doing business as Jarden Consumer Solutions located in Boca Raton, Florida 33431. In Canada, this warranty is offered by Sunbeam Corporation (Canada) Limited doing business as Jarden Consumer Solutions, located at 20 B Hereford Street, Brampton, Ontario L6Y 0M1. If you have any other problem or claim in connection with this product, please write our Consumer Service Department.

PLEASE DO NOT RETURN THIS PRODUCT TO ANY OF THESE ADDRESSES OR TO THE PLACE OF PURCHASE.



For product questions contact:
Sunbeam Consumer Service

USA: 1.800.458.8407
Canada: 1.800.667.8623
www.sunbeam.ca

©2014 Sunbeam Products, Inc. doing business as Jarden Consumer Solutions.
All rights reserved.

In Canada, imported and distributed by Sunbeam Corporation (Canada) Limited doing
business as Jarden Consumer Solutions, 20 B Hereford Street,
Brampton, Ontario L6Y 0M1.

For inquiries regarding recycling and proper disposal of this product, please contact your
local waste management facility.
GCDS-SUN33565-SL

Para preguntas sobre los productos, llamar a:
Sunbeam Consumer Service

EE.UU.: 1.800.458.8407
Canadá: 1.800.667.8623
www.sunbeam.ca

©2014 Sunbeam Products, Inc., faisant affaire sous le nom de Jarden Consumer Solutions.
Tous droits réservés.

Au Canada, importé et distribué par Sunbeam Corporation (Canada) Limited faisant
affaire sous le nom de Jarden Consumer Solutions,
20 B Hereford Street, Brampton (Ontario) L6Y 0M1.

Pour toute demande de renseignements en ce qui concerne le recyclage et l'élimination
appropriée de ce produit, veuillez communiquer avec l'installation de
gestion des déchets locale.