

TRUSTED FOR OVER
100 YEARS

SSF1610B-CN

16 inch (40cm) Oscillating
Stand Fan



Instruction Leaflet

PLEASE READ AND SAVE THESE IMPORTANT INSTRUCTIONS

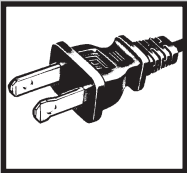
Sunbeam[®]

PLEASE READ AND SAVE THESE IMPORTANT SAFETY INSTRUCTIONS

When using electrical appliances, basic safety precautions should always be followed to reduce the risk of fire, electric shock, and injury to persons, including the following:

1. Read all instructions before using this appliance.
2. Use fan only for purposes described in the instruction manual.
3. To protect against electrical shock do not immerse unit, plug or cord in water or spray with liquids and plug the appliance directly into a 120V AC electrical outlet.
4. Close supervision is necessary when any appliance is used by or near children.
5. Unplug from outlet when not in use, when moving fan from one location to another, before putting on or taking off parts and before cleaning.
6. Avoid contact with moving parts.
7. Do not operate in the presence of explosive and/or flammable fumes.
8. To avoid fire hazard, NEVER place the cord under rugs or any parts near an open flame, cooking or other heating appliance.
9. Do not operate any appliance with a damaged cord or plug after the appliance malfunctions, or has been dropped/damaged in any manner.
10. Do not run cord under carpeting. Do not cover cord with throw rugs, runner, or similar coverings. Do not route cord under furniture or appliances. Arrange cord away from traffic area and where it will not be tripped over.
11. The use of attachments not recommended or sold by the appliance manufacturer may cause hazards.
12. Do not let the cord hang over the edge of a table, counter or come in contact with hot surfaces or leave exposed to high traffic areas.
13. Do not use outdoors.
14. To disconnect, grip plug and pull from wall outlet. Never yank on cord.
15. Always use on a dry, level surface.
16. Do not operate fan until fully assembled with all parts properly in place.
17. This product is intended for household use ONLY and not for commercial or industrial applications.
18. **WARNING:** To reduce the risk of electrical shock and injury to persons, do not use in window.
19. **WARNING:** To reduce the risk of fire or electric shock, DO NOT use this fan with any solid-state speed control device.

PLEASE READ AND SAVE THESE IMPORTANT SAFETY INSTRUCTIONS



THIS APPLIANCE HAS A POLARIZED PLUG (one blade is wider than the other). To reduce the risk of electric shock, this plug is intended to fit in a polarized outlet only one way. If the plug does not fit fully in the outlet, reverse the plug. If it still does not fit, contact a qualified electrician to install the proper outlet.

DO NOT ATTEMPT TO MODIFY THIS PLUG OR DEFEAT THIS SAFETY FEATURE IN ANY WAY.

FEATURES - OPERATIONS

ASSEMBLY INSTRUCTIONS (SEE FIGURE 1)

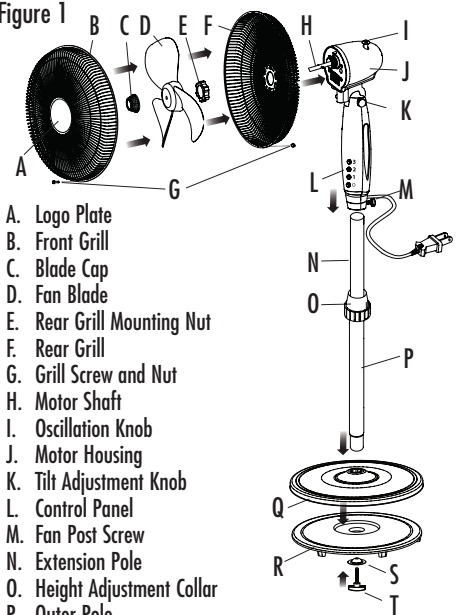
NOTE: MAKE SURE YOU REMOVE ALL CONTENTS OF THE PACKAGE. PLEASE CHECK PACKAGING MATERIALS FOR PARTS THAT COULD BE REQUIRED TO OPERATE YOUR FAN.

Tools required: Phillips head screw driver (not included)

Assembly time: 5–10 minutes

1. Insert the lower end of the outer pole through the hole in the center of base and twist clockwise into position.
2. Turn the base upside down (pole facing the floor) and place the base weight into the base.
3. Insert the threaded end of the T-shaped locking lever into the hole of the washer, weight and through the base.

Figure 1



- A. Logo Plate
- B. Front Grill
- C. Blade Cap
- D. Fan Blade
- E. Rear Grill Mounting Nut
- F. Rear Grill
- G. Grill Screw and Nut
- H. Motor Shaft
- I. Oscillation Knob
- J. Motor Housing
- K. Tilt Adjustment Knob
- L. Control Panel
- M. Fan Post Screw
- N. Extension Pole
- O. Height Adjustment Collar
- P. Outer Pole
- Q. Base
- R. Base Weight
- S. Washer
- T. T-shaped Locking Lever

4. Turn the T-shaped locking lever clockwise to securely attach the pole to the base.
5. Set the base on the floor, weight side down.
6. Loosen fan post screw and slide control panel housing over top of extension pole. Tighten fan post screw.
7. Line up the slots of the rear grill with the notches on the motor housing assembly. When properly aligned, the handle of the rear grill should be in the 12 o'clock position.
8. Secure rear grill to motor housing assembly with rear grill mounting nut. Turn clockwise to tighten.
9. Slide blade over motor shaft.
10. Secure fan blade to motor shaft with the blade cap. Turn counter-clockwise to tighten.
11. Open the expandable grill clips located around the perimeter of the front grill and remove the grill screw and nut located on the bottom of the grill.
12. Slide the hanging clip located on the top of the front grill over the top of the rear grill.
13. Close expandable clips over the rear grill.
14. Replace grill screw and nut and tighten with screw driver.

OPERATING INSTRUCTIONS

1. Set fan base on a dry, level surface.
2. Plug cord into any standard 120 volt AC outlet.
3. The speed is adjusted by pressing the speed control buttons to the desired setting:
 - 0-Off
 - 3-High
 - 2-Medium
 - 1-Low.
4. The oscillation control knob is located on the top of the fan motor housing. To start oscillation, push oscillation knob down. To stop oscillation, pull oscillation knob all the way up.

FEATURES - OPERATIONS CLEANING/MAINTENANCE

ADJUSTMENT INSTRUCTIONS

Tilt Adjustment

Follow these instructions to tilt the fan head for upward angle air movement.

STEP 1: To change the tilting angle of the fan head; simply loosen the tilt adjustment knob.

STEP 2: Move the fan head to the desired angle, and firmly tighten the knob to lock in place.

Height Adjustment

Follow these instructions to adjust the height of the fan.

STEP 1: Turn the height adjustment collar counter-clockwise to loosen pole.

STEP 2: Adjust the extension pole to the desired height, and firmly tighten the height adjustment collar in a clockwise direction.

CLEANING/MAINTENANCE INSTRUCTIONS

Follow these instructions to correctly and safely care for your fan. Please remember:

FAN CLEANING

- Always unplug the fan before cleaning.
- Do not allow water to drip on or enter into fan housing.
- Be sure to use a soft cloth moistened with or without a mild soap solution.
- Do not use any of the following as a cleaner: gasoline, thinner, or benzene.

Fan Blade Cleaning

1. To access the fan blade, remove the front grill and blade cap.
2. Clean the fan blade, front and rear grills with a soft moist cloth.
3. Replace blade, tighten blade cap, and securely fasten the front grill (see Assembly Instructions to ensure the fan blade, front and rear grills are assembled properly).

Fan Head, Base and Pole Cleaning

Using a soft, moist cloth with or without a mild soap solution carefully clean the fan base, pole and head. Please use caution around the motor housing area. Do not allow the motor or other electrical components to be exposed to water.

FAN STORAGE

Your fan can be stored in the off season either partially disassembled or assembled. It is important to keep it in a safe dry location.

- If stored disassembled, we recommend using the original (or appropriately sized) box.
- If stored assembled or partially assembled, remember to protect the fan head from dust.

NOTE: This fan can also be used during the cold winter season to circulate warm air throughout your home.

If you have any questions regarding your product or would like to learn more about other Sunbeam® products, please contact our Consumer Service Department at 1-888-264-9669 or visit our website at www.sunbeam.ca.

WARRANTY INFORMATION

1 YEAR LIMITED WARRANTY

Sunbeam Products, Inc. doing business as Jarden Consumer Solutions or if in Canada, Sunbeam Corporation (Canada) Limited doing business as Jarden Consumer Solutions (collectively "JCS") warrants that for a period of one year from the date of purchase, this product will be free from defects in material and workmanship. JCS, at its option, will repair or replace this product or any component of the product found to be defective during the warranty period.

Replacement will be made with a new or remanufactured product or component. If the product is no longer available, replacement may be made with a similar product of equal or greater value. This is your exclusive warranty. Do NOT attempt to repair or adjust any electrical or mechanical functions on this product. Doing so will void this warranty.

This warranty is valid for the original retail purchaser from the date of initial retail purchase and is not transferable. Keep the original sales receipt. Proof of purchase is required to obtain warranty performance. JCS dealers, service centers, or retail stores selling JCS products do not have the right to alter, modify or any way change the terms and conditions of this warranty.

This warranty does not cover normal wear of parts or damage resulting from any of the following: negligent use or misuse of the product, use on improper voltage or current, use contrary to the operating instructions, disassembly, repair or alteration by anyone other than JCS or an authorized JCS service center. Further, the warranty does not cover: Acts of God, such as fire, flood, hurricanes and tornadoes.

What are the limits on JCS's Liability?

JCS shall not be liable for any incidental or consequential damages caused by the breach of any express, implied or statutory warranty or condition.

Except to the extent prohibited by applicable law, any implied warranty or condition of merchantability or fitness for a particular purpose is limited in duration to the duration of the above warranty.

JCS disclaims all other warranties, conditions or representations, express, implied, statutory or otherwise.

JCS shall not be liable for any damages of any kind resulting from the purchase, use or misuse of, or inability to use the product including incidental, special, consequential or similar damages or loss of profits, or for any breach of contract, fundamental or otherwise, or for any claim brought against purchaser by any other party.

Some provinces, states or jurisdictions do not allow the exclusion or limitation of incidental or consequential damages or limitations on how long an implied warranty lasts, so the above limitations or exclusion may not apply to you.

This warranty gives you specific legal rights, and you may also have other rights that vary from province to province, state to state or jurisdiction to jurisdiction.

How to Obtain Warranty Service

In the U.S.A.

If you have any questions regarding this warranty or would like to obtain warranty service, please call 1-888-264-9669 and a convenient service center address will be provided to you.

In Canada

If you have any questions regarding this warranty or would like to obtain warranty service, please call 1-888-264-9669 and a convenient service center address will be provided to you.

WARRANTY INFORMATION

In the U.S.A., this warranty is offered by Sunbeam Products, Inc. doing business as Jarden Consumer Solutions located in Boca Raton, Florida 33431. In Canada, this warranty is offered by Sunbeam Corporation (Canada) Limited doing business as Jarden Consumer Solutions, located at 20 B Hereford Street, Brampton, Ontario L6Y 0M1. If you have any other problem or claim in connection with this product, please write our Consumer Service Department. **PLEASE DO NOT RETURN THIS PRODUCT TO ANY OF THESE ADDRESSES OR TO THE PLACE OF PURCHASE.**

© 2012 Sunbeam Products, Inc. doing business as Jarden Consumer Solutions. All rights reserved. Imported and distributed by Sunbeam Corporation (Canada) Limited doing business as Jarden Consumer Solutions, 20 B Hereford Street, Brampton, Ontario L6Y 0M1.

Printed In China