

Sunbeam^{TM/MC}

User Manual **TOASTER OVEN**
Notice d'emploi **GRILLE-PAIN FOUR**

MODELS/MODÈLES
TSSBTV6000/TSSBTV6001



IMPORTANT SAFEGUARDS

When using electrical appliances, basic safety precautions should always be followed to reduce the risk of fire, electric shock and/or injury to persons, including the following:

READ ALL INSTRUCTIONS BEFORE USING THE TOASTER OVEN.

1. **DO NOT** touch hot surfaces. ⚠ Surfaces are liable to get hot during use. Always use oven mitts when handling hot materials and allow metal parts to cool before cleaning. Allow the unit to cool thoroughly before putting in or taking off parts.
2. When unit is not in use and before cleaning, unplug it from the wall outlet. Note: Make sure the oven is turned off before unplugging.
3. To protect against risk of electrical shock, do not immerse the appliance in water or any other liquids.
4. **DO NOT** operate this or any appliance with a frayed or damaged cord or plug or after the appliance malfunctions or is dropped or has been damaged in any manner. Take the toaster oven to the nearest Authorized Service Center for examination, repair or electrical or mechanical adjustment. Incorrect assembly may cause personal injuries.
5. **DO NOT** use attachments not recommended by the manufacturer; they may cause fire, electric shock or personal injury.
6. **DO NOT** use outdoors or for commercial purposes.
7. **DO NOT** use this appliance for other than its intended use.
8. **DO NOT** let the cord dangle over the edge of a tabletop or countertop or touch hot surfaces.
9. **DO NOT** place the appliance near a hot gas or electric burner or in a heated oven.
10. Extreme caution should be used when using containers constructed of material other than metal or heat resistant glass.
11. A fire may occur if the toaster oven is covered or touching flammable materials, including curtains, draperies, walls, etc., when in operation. Do not store any items on top of the appliance when in operation.
12. When using toaster oven, pull the unit out a minimum of 15 cm (6 inches) away from the wall or other cords.
13. **DO NOT** store any materials, other than manufacturer's recommended accessories, in this unit when not in use.
14. **DO NOT** place any flammable materials in oven, such as paper, cardboard, plastic or any materials that may catch fire or melt.
15. **DO NOT** cover the oven or oven parts with metal foil. This will cause overheating of the appliance.
16. Oversized foods or metal utensils must not be inserted in the appliance as they may create a fire or risk of electrical shock.
17. To disconnect, turn any control to the off position "O" then remove plug from wall outlet.
18. Extreme caution must be used when moving appliance containing hot liquids.
19. **DO NOT** clean with metal scouring pads. Pieces can break off the pad and touch electrical parts involving a risk of electrical shock.
20. Use extreme caution when removing tray or disposing of hot grease.
21. To turn this appliance off, return all controls to the "O" position.
22. This appliance is not intended for use by persons (including children) with reduced physical, sensory or mental capabilities, or lack of experience and knowledge, unless they have been given supervision or instruction concerning use of the appliance by a person responsible for their safety. Children should be supervised to ensure that they do not play with the appliance.
23. Close supervision is necessary when any appliance is used by or near children, or incapacitated individuals.

THIS UNIT IS FOR HOUSEHOLD USE ONLY

SHORT POWER SUPPLY CORD INSTRUCTIONS

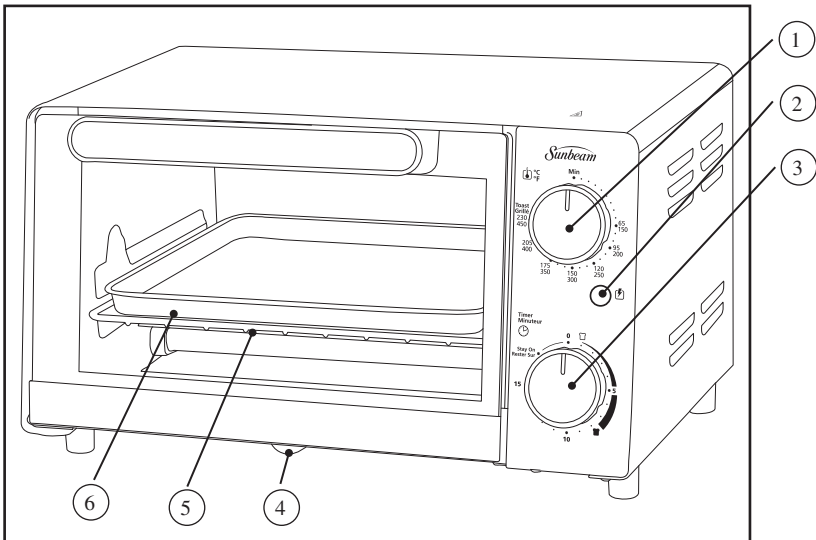
A short power-supply cord is provided to reduce the risk resulting from becoming entangled in or tripping over a longer cord. An extension cord may be used if care is exercised in its use. If an extension cord is used, the electrical rating of the cord must be at least as great as the electrical rating of the appliance. The extension cord should be arranged so that it will not drape over the countertop or tabletop where it can be pulled on by children or tripped over unintentionally.

(For 120 volts with two flat pins only) This appliance has a polarized plug (one blade is wider than the other). To reduce the risk of electric shock, this plug will fit in a polarized outlet only one way. If the plug does not fit fully in the outlet, reverse the plug. If it still does not fit, contact a qualified electrician. **DO NOT MODIFY THE PLUG IN ANY WAY.**

SAVE THESE INSTRUCTIONS

DESCRIPTION OF THE APPLIANCE

1. Temperature Control Knob
2. Power Light
3. Timer Knob/Off Switch with Stay On Function
4. Swing-Open Crumb Tray (under unit)
5. Removable Wire Rack
6. Baking Pan



PREPARING THE TOASTER OVEN FOR USE

OPERATING INSTRUCTIONS

PREPARING TO USE YOUR TOASTER OVEN FOR THE FIRST TIME:

If you are using your toaster oven for the first time, please be sure to:

1. Remove any stickers from the surface of the oven. Open oven door and remove all printed documents and paper from inside the toaster oven.
2. Clean the rack, tray, and pan with hot water, a small amount of dishwashing liquid and a nonabrasive sponge or cleaning pad. Insert rack.

NOTE: DO NOT IMMERSE THE BODY OF THE UNIT IN WATER.

Dry the unit thoroughly before using. Select a location for the toaster oven. The location should be in an open area on a flat counter where the plug will reach an outlet. Plug the toaster oven into an electrical outlet.

Warning: When toaster oven is in use or cooling down, please be sure there is a 15 cm (6-inch) clearance between the toaster oven and any other surface including cords. Be sure the cord is not resting against the back of the toaster oven.

Using the Toast Function

Step 1. Place food on wire rack.

Step 2. Close glass door completely.

Step 3. Turn the temperature knob to toast.

Step 4. Turn the timer to the desired toast shade.

Step 5. When toasting is complete, open door completely and remove food.

Using the Bake Function

Preheat oven 5-7 minutes at desired temperature with oven rack in place.

Step 1. Place baking pan with food inside on top of the wire rack.

Step 2. Close glass door completely.

Step 3. Turn the temperature knob to desired temperature setting.

Step 4. Turn the timer to the desired cook time or to stay on function.

Step 5. When baking is complete, open door completely and remove food.

CARING FOR YOUR TOASTER OVEN

CARE AND CLEANING

Cleaning Your Toaster Oven

1. Turn all knobs to off position “0” then unplug unit and let it cool.
2. Wipe unit down with damp cloth. DO NOT IMMERSE IN WATER. Make sure to only use mild, soapy water. Abrasive cleaners, scrubbing brushes and chemical cleaners will damage the continuous clean coating on this unit.
3. Swing-open the crumb tray, tip back oven and pull the crumb tray knob forward and then down.
4. Shake off crumbs from crumb tray. Cleaning the crumb tray often will avoid any accumulations.
5. Remove wire rack and clean with damp cloth or place in the top rack of the dishwasher.

Storing Your Toaster Oven

Allow the appliance to cool completely before storing. If storing the toaster oven for long periods of time make certain that the toaster oven is clean and free of food particles. Store the toaster oven in a dry location such as on a table or countertop or cupboard shelf. Other than the recommended cleaning, no further user maintenance should be necessary.

1 YEAR LIMITED WARRANTY

Sunbeam Products, Inc. doing business as Jarden Consumer Solutions or if in Canada, Sunbeam Corporation (Canada) Limited doing business as Jarden Consumer Solutions (collectively "JCS") warrants that for a period of one year from the date of purchase, this product will be free from defects in material and workmanship. JCS, at its option, will repair or replace this product or any component of the product found to be defective during the warranty period. Replacement will be made with a new or remanufactured product or component. If the product is no longer available, replacement may be made with a similar product of equal or greater value. This is your exclusive warranty. Do NOT attempt to repair or adjust any electrical or mechanical functions on this product. Doing so will void this warranty.

This warranty is valid for the original retail purchaser from the date of initial retail purchase and is not transferable. Keep the original sales receipt. Proof of purchase is required to obtain warranty performance. JCS dealers, service centers, or retail stores selling JCS products do not have the right to alter, modify or any way change the terms and conditions of this warranty.

This warranty does not cover normal wear of parts or damage resulting from any of the following: negligent use or misuse of the product, use on improper voltage or current, use contrary to the operating instructions, disassembly, repair or alteration by anyone other than JCS or an authorized JCS service center. Further, the warranty does not cover: Acts of God, such as fire, flood, hurricanes and tornadoes.

What are the limits on JCS's Liability?

JCS shall not be liable for any incidental or consequential damages caused by the breach of any express, implied or statutory warranty or condition.

Except to the extent prohibited by applicable law, any implied warranty or condition of merchantability or fitness for a particular purpose is limited in duration to the duration of the above warranty.

JCS disclaims all other warranties, conditions or representations, express, implied, statutory or otherwise.

JCS shall not be liable for any damages of any kind resulting from the purchase, use or misuse of, or inability to use the product including incidental, special, consequential or similar damages or loss of profits, or for any breach of contract, fundamental or otherwise, or for any claim brought against purchaser by any other party.

Some provinces, states or jurisdictions do not allow the exclusion or limitation of incidental or consequential damages or limitations on how long an implied warranty lasts, so the above limitations or exclusion may not apply to you.

This warranty gives you specific legal rights, and you may also have other rights that vary from province to province, state to state or jurisdiction to jurisdiction.

How to Obtain Warranty Service

In the U.S.A.

If you have any question regarding this warranty or would like to obtain warranty service, please call 1-800-458-8407 and a convenient service center address will be provided to you.

In Canada

If you have any question regarding this warranty or would like to obtain warranty service, please call 1-800-667-8623 and a convenient service center address will be provided to you.

In the U.S.A., this warranty is offered by Sunbeam Products, Inc. doing business as Jarden Consumer Solutions located in Boca Raton, Florida 33431. In Canada, this warranty is offered by Sunbeam Corporation (Canada) Limited doing business as Jarden Consumer Solutions, located at 20 B Hereford Street, Brampton, Ontario L6Y 0M1. If you have any other problem or claim in connection with this product, please write our Consumer Service Department.

PLEASE DO NOT RETURN THIS PRODUCT TO ANY OF THESE ADDRESSES OR TO THE PLACE OF PURCHASE.