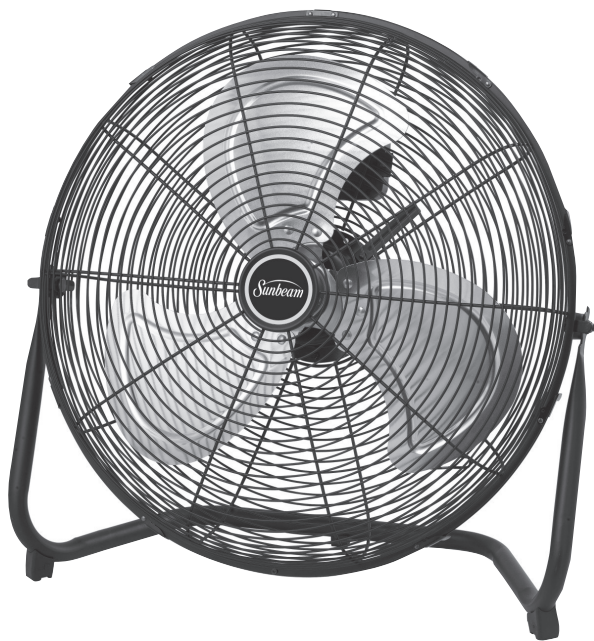


TRUSTED FOR OVER
100 YEARS

SUF1814-CN

Sunbeam®

Sunbeam® high velocity Air Circulator



Instruction Leaflet

PLEASE READ AND SAVE THESE IMPORTANT INSTRUCTIONS

PLEASE READ AND SAVE THESE IMPORTANT SAFETY INSTRUCTIONS

When using electrical appliances, basic safety precautions should always be taken including the following:

1. Read all instructions before using this appliance.
2. Use fan only for purposes described in the instruction manual.
3. To protect against electrical shock do not immerse unit, plug or cord in water or spray with liquids and plug the appliance directly into a 120V AC electrical outlet.
4. Close supervision is necessary when any appliance is used by or near children.
5. Unplug from outlet when not in use, when moving fan from one location to another, before putting on or taking off parts and before cleaning.
6. Avoid contact with moving parts.
7. Do not operate in the presence of explosive and/or flammable fumes.
8. To avoid fire hazard, NEVER place the cord under rugs or any parts near an open flame, cooking or other heating appliance.
9. Do not operate any appliance with a damaged cord or plug after the appliance malfunctions, or has been dropped/damaged in any manner. Discard fan or return to an authorized service facility for examination and/or repair.
10. Do not run cord under carpeting. Do not cover cord with throw rugs, runner, or similar coverings. Do not route cord under furniture or appliances. Arrange cord away from traffic area and where it will not be tripped over.
11. The use of attachments not recommended or sold by the appliance manufacturer may cause hazards.
12. Do not let the cord hang over the edge of a table, counter or come in contact with hot surfaces or leave exposed to high traffic areas.
13. Do not use outdoors.
14. To disconnect, grip plug and pull from wall outlet. Never yank on cord.
15. Always use on a dry, level surface.
16. Do not operate fan until fully assembled with all parts properly in place.
17. This product is intended for household use ONLY and not for commercial or industrial applications.
18. **WARNING:** To reduce the risk of electrical shock and injury to persons, do not use in window.
19. **WARNING:** To reduce the risk of fire or electric shock, do not use this fan with any solid-state speed control device.

PLEASE READ AND SAVE THESE IMPORTANT SAFETY INSTRUCTIONS

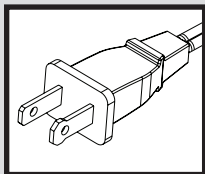
ASSEMBLY INSTRUCTIONS

Carefully unpack contents from carton.

Tools Required: No tool is required for assembly.

Assembly Time: 5-10 minutes.

1. Locate the latches on the rear side of the 2 legs and insert into the 2 ends of the base tube (see Figure 1).
2. Press the latch on each leg and insert into the base tube until the latch is locked into the hole in place (see close-up of the latch in Figure 1).



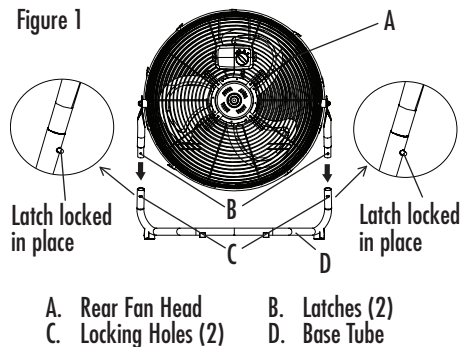
THIS APPLIANCE HAS A POLARIZED PLUG (one blade is wider than the other). To reduce the risk of electric shock, this plug is intended to fit in a polarized outlet only one way. If the plug does not fit fully in the outlet, reverse the plug. If it still does not fit, contact a qualified electrician to install the proper outlet.

DO NOT ATTEMPT TO MODIFY THIS PLUG OR DEFEAT THIS SAFETY FEATURE IN ANY WAY.

FEATURES - OPERATIONS

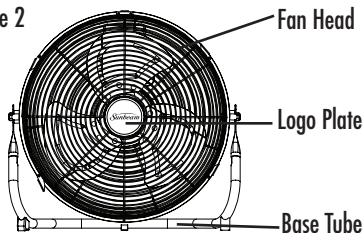
CLEANING/MAINTENANCE INSTRUCTIONS

Figure 1



- Place the air circulator in upright position with Sunbeam logo plate facing front (see Figure 2).

Figure 2



- Plug the air circulator into standard 120V AC electrical outlet and the fan is ready for use.

OPERATING INSTRUCTIONS

Sunbeam® Air Circulators can be used alone or in conjunction with an air conditioner unit to circulate already cooled air or to force it into other rooms. During summer days, the portable Sunbeam® Air Circulator can be used as a hassock fan to pick up cool air near the floor and circulate it through the entire room.

- To operate fan, turn the speed control knob, located on the rear grill, to High "3", Medium "2", or Low "1". To turn the fan off, switch the speed control knob to Off "0" position.
- It is normal for the motor to feel warm to the touch during operation. The motor is thermally protected and will automatically shut off should it overheat for any reason. If this happens, immediately disconnect the fan from the power outlet.

TILT ADJUSTMENT INSTRUCTIONS

To adjust the angle of the fan simply use both hands to adjust the fan head to the desired position.

CLEANING/MAINTENANCE INSTRUCTIONS

Follow these instructions to correctly and safely care for your personal fan.

FAN CLEANING

- Always unplug the fan before cleaning or disassembling.
- Do not allow water to drip on or enter into fan housing.
- Be sure to use a soft cloth moistened with a mild soap solution.
- Do not use any of the following as a cleaner: gasoline, thinner, or benzene.

Fan Blade Cleaning Instructions

- Unlock the clips around the perimeter of the front grill and use a Phillips Head screwdriver to remove the screw at the bottom of the grill.
- Remove the front grill.
- Clean the fan blade, grill, housing and base with a soft, damp cloth. **DO NOT ATTEMPT TO REMOVE THE FAN BLADE.** Please use caution around the motor housing area. Do not allow the motor or other electrical components to be exposed to water.
- Replace front grill onto rear grill and secure with the clips and screw removed in the first step.

FAN STORAGE

When storing your fan in the off season, it is important to keep it in a safe dry location. It is important to protect the fan head from dust. **WE STRONGLY RECOMMEND USING THE ORIGINAL BOX FROM PURCHASE.**

If you have any questions regarding your product or would like to learn more about other Sunbeam® products, please contact our Consumer Service Department at 1-888-264-9669 or visit our website at www.sunbeam.ca.

WARRANTY INFORMATION

10 YEAR LIMITED WARRANTY

Sunbeam Products, Inc. doing business as Jarden Consumer Solutions or if in Canada, Sunbeam Corporation (Canada) Limited doing business as Jarden Consumer Solutions (collectively "JCS") warrants that for a period of ten years from the date of purchase, this product will be free from defects in material and workmanship. JCS, at its option, will repair or replace this product or any component of the product found to be defective during the warranty period.

Replacement will be made with a new or remanufactured product or component. If the product is no longer available, replacement may be made with a similar product of equal or greater value. This is your exclusive warranty. Do NOT attempt to repair or adjust any electrical or mechanical functions on this product. Doing so will void this warranty.

This warranty is valid for the original retail purchaser from the date of initial retail purchase and is not transferable. Keep the original sales receipt. Proof of purchase is required to obtain warranty performance. JCS dealers, service centers, or retail stores selling JCS products do not have the right to alter, modify or any way change the terms and conditions of this warranty. This warranty does not cover normal wear of parts or damage resulting from any of the following: negligent use or misuse of the product, use on improper voltage or current, use contrary to the operating instructions, disassembly, repair or alteration by anyone other than JCS or an authorized JCS service center. Further, the warranty does not cover: Acts of God, such as fire, flood, hurricanes and tornadoes.

What are the limits on JCS's Liability?

JCS shall not be liable for any incidental or consequential damages caused by the breach of any express, implied or statutory warranty or condition.

Except to the extent prohibited by applicable law, any implied warranty or condition of merchantability or fitness for a particular purpose is limited in duration to the duration of the above warranty.

JCS disclaims all other warranties, conditions or representations, express, implied, statutory or otherwise.

JCS shall not be liable for any damages of any kind resulting from the purchase, use or misuse of, or inability to use the product including incidental, special, consequential or similar damages or loss of profits, or for any breach of contract, fundamental or otherwise, or for any claim brought against purchaser by any other party.

Some provinces, states or jurisdictions do not allow the exclusion or limitation of incidental or consequential damages or limitations on how long an implied warranty lasts, so the above limitations or exclusion may not apply to you.

This warranty gives you specific legal rights, and you may also have other rights that vary from province to province, state to state or jurisdiction to jurisdiction.

How to Obtain Warranty Service

In the U.S.A.

If you have any questions regarding this warranty or would like to obtain warranty service, please call 1-888-264-9669 and a convenient service center address will be provided to you.

In Canada

If you have any questions regarding this warranty or would like to obtain warranty service, please call 1-888-264-9669 and a convenient service center address will be provided to you.

In the U.S.A., this warranty is offered by Sunbeam Products, Inc. doing business as Jarden Consumer Solutions located in Boca Raton, Florida 33431. In Canada, this warranty is offered by Sunbeam Corporation (Canada) Limited doing business as Jarden Consumer Solutions, located at 20B Hereford Street, Brampton, Ontario L6Y 0M1. If you have any other problem or claim in connection with this product, please write our Consumer Service Department. **PLEASE DO NOT RETURN THIS PRODUCT TO ANY OF THESE ADDRESSES OR TO THE PLACE OF PURCHASE.**

© 2013 Sunbeam Products, Inc. doing business as Jarden Consumer Solutions. All rights reserved. Imported and distributed by Sunbeam Corporation (Canada) Limited doing business as Jarden Consumer Solutions, 20B Hereford Street, Brampton, Ontario L6Y 0M1.